

Customer:

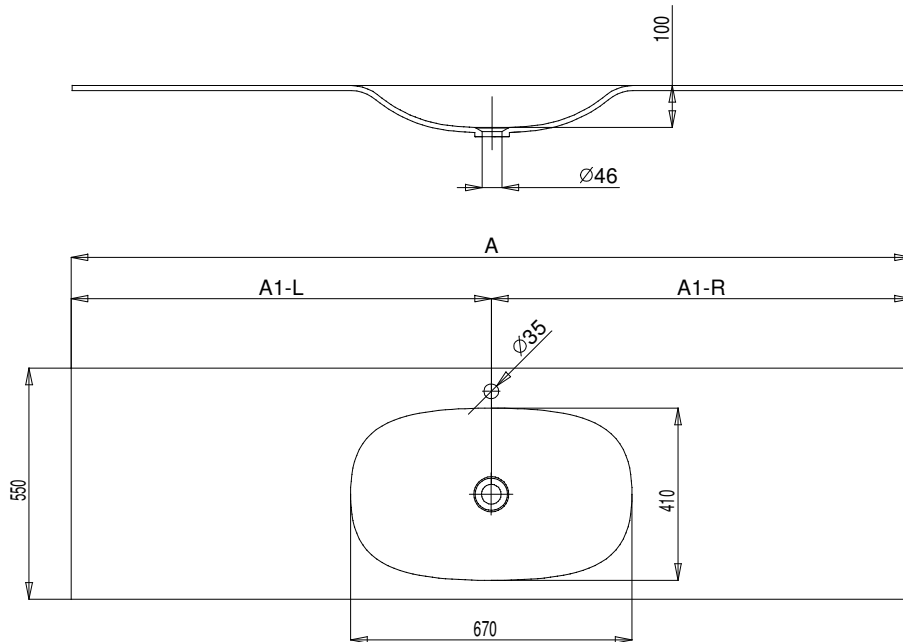
Properties:

Name and Surname	
Address	
E-mail	
Phone number	
Order number	



Model	TRINITY
Dimensions (Ax550)	_____ x 550 mm
Color	
Cutting option	

	min (mm)	max (mm)
A	750	2900
A1-L	375	1450
A1-R	375	1450



GENERAL DIMENSIONS

	750 - 2900 mm
A[mm]	

	375 - 1450 mm
A1-L[mm]	

	375 - 1450 mm
A1-D[mm]	